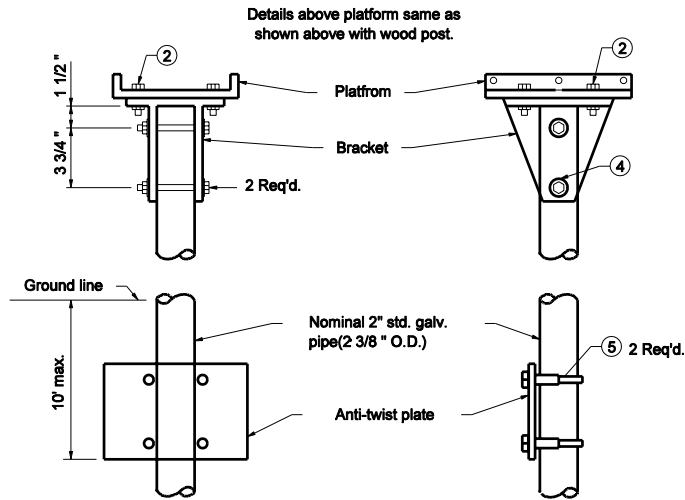


**WITH WOOD POST**

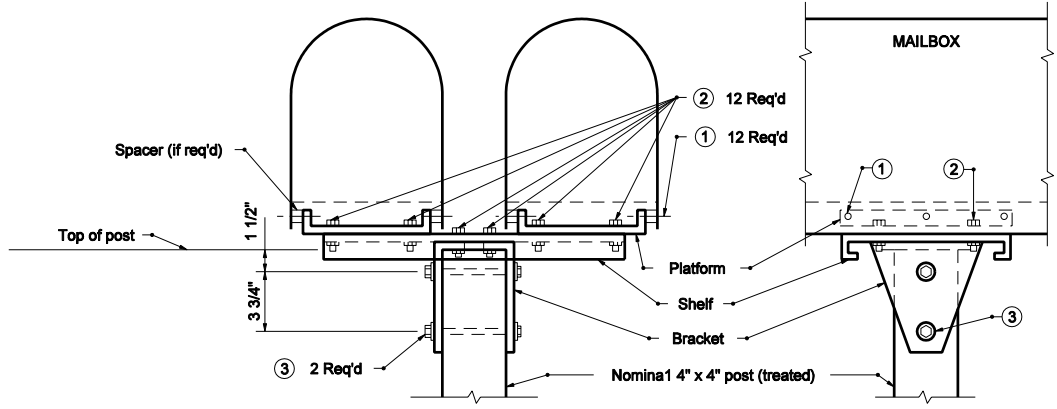


**WITH PIPE POST**

**LEGEND**

- ① #8-32 x "L" truss head machine screw with two #8 flat washers, #8 lock washers, and #8 hex nut.
- ② 5/16"-18 x 3/4" hex cap screw with two 5/16" flat washers, 5/16" lock washer and 5/16" hex nut.
- ③ 5/16"-18 x 4 1/2" hex cap screw with two 5/16" flat washers, 5/16" lock washer, and 5/16" hex nut.
- ④ 5/16"-18 x 3" hex cap screw with two 5/16" flat washers, 5/16" lock washer, and 5/16" hex nut.
- ⑤ Nominal 2 3/4" muffer clamp
- ⑥ For platform, bracket, shelf, spacer and anti-twist plate details, see Standard Drawing E 611-MBAS-03.

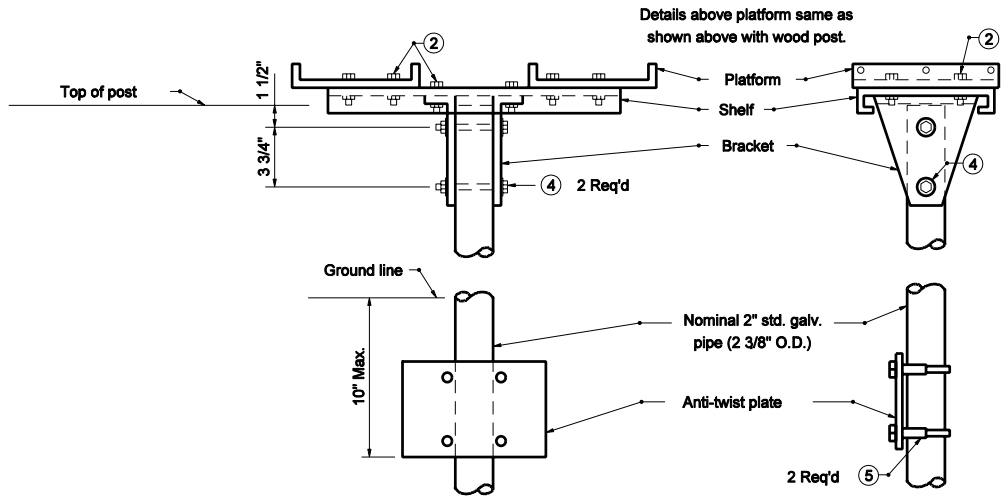
INDIANA DEPARTMENT OF TRANSPORTATION	
<b>SINGLE MAILBOX ASSEMBLY</b>	
<b>MARCH 2005</b>	
<b>STANDARD DRAWING NO. E 611-MBAS-01</b>	
	<i>/s/ Richard L. VanCleave</i> 3-01-05 DESIGN STANDARDS ENGINEER DATE
DESIGN STANDARDS ENGINEER	<i>/s/ Richard K. Smutzer</i> 3-01-05 CHIEF HIGHWAY ENGINEER DATE



**LEGEND**

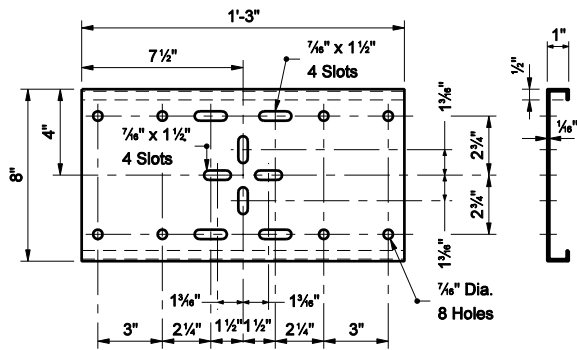
- ① #8-32 x "L" truss head machine screw with two #8 flat washers, #8 lock washers, and #8 hex nut.
- ② 5/16"-18 x 3/4" hex cap screw with two 5/16" flat washers, 5/16" lock washer and 5/16" hex nut.
- ③ 5/16"-18 x 4 1/2" hex cap screw with two 5/16" flat washers, 5/16" lock washer, and 5/16" hex nut.
- ④ 5/16"-18 x 3" hex cap screw with two 5/16" flat washers, 5/16" lock washer, and 5/16" hex nut.
- ⑤ Nominal 2 3/4" muffler clamp
- ⑥ For platform, bracket, shelf, spacer and anti-twist plate details, see Standard Drawing E 611-MBAS-03.

**WITH WOOD POST**

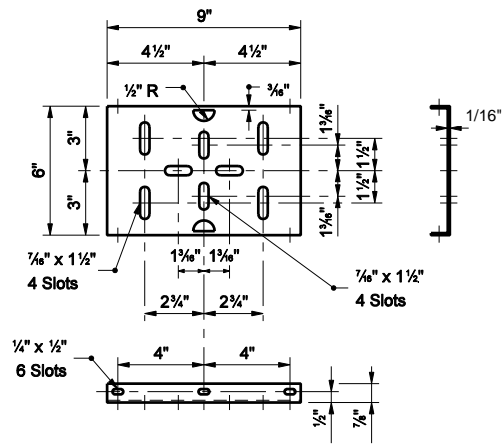


**WITH PIPE POST**

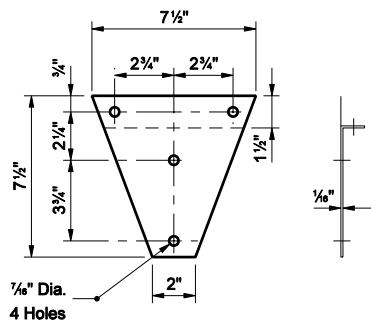
INDIANA DEPARTMENT OF TRANSPORTATION	
<b>DOUBLE MAILBOX ASSEMBLY</b>	
MARCH 2005	
STANDARD DRAWING NO. E 611-MBAS-02	
	<i>/s/ Richard L. VanCleave</i> 3-01-05 DESIGN STANDARDS ENGINEER DATE
	<i>/s/ Richard K. Smutzer</i> 3-01-05 CHIEF HIGHWAY ENGINEER DATE
DESIGN STANDARDS ENGINEER	



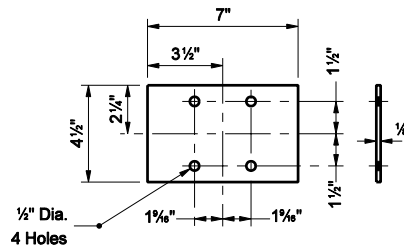
**SHELF**



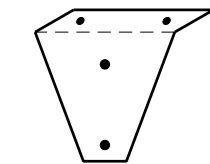
**PLATFORM**



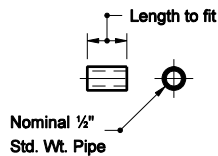
**BRACKET**



**ANTI-TWIST PLATE**

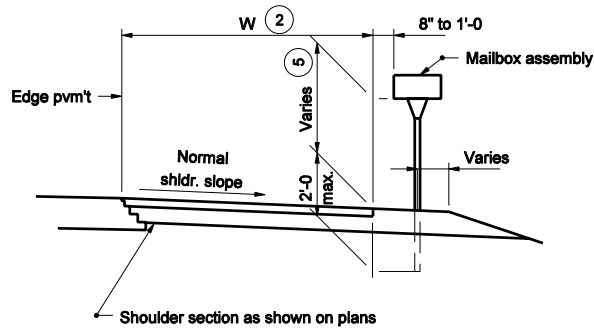


**FINISHED BRACKET  
ISOMETRIC**

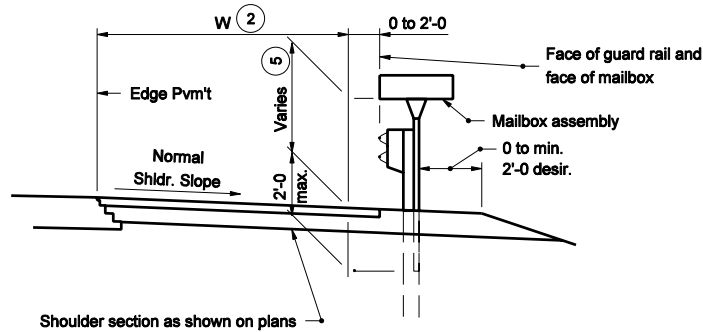


**SPACER**

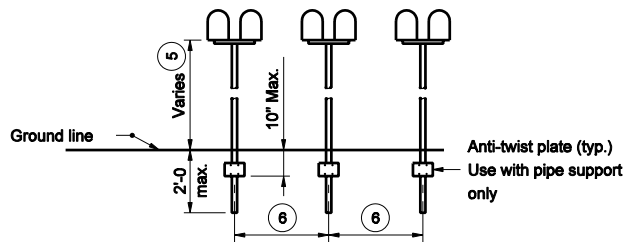
INDIANA DEPARTMENT OF TRANSPORTATION	
<b>MAILBOX SUPPORT HARDWARE</b>	
MARCH 2005	
STANDARD DRAWING NO. E 611-MBAS-03	
	<i>/s/ Richard L. VanCleave</i> 3-01-05 DESIGN STANDARDS ENGINEER DATE
DESIGN STANDARDS ENGINEER	<i>/s/ Richard K. Smutzer</i> 3-01-05 CHIEF HIGHWAY ENGINEER DATE



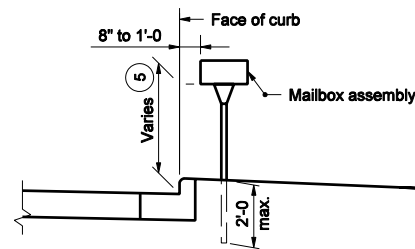
**NORMAL SHOULDER SECTION**



**SHOULDER SECTION WITH GUARDRAIL**



**SPACING FOR MULTIPLE POST INSTALLATION**



**CURBED SECTION**

**GENERAL NOTES**

- 2 See plans for W
- 5 The normal height range is 3'-3 to 3'-11. Contact the local postmaster to establish appropriate installation height.
- 6 Established by the U.S. Postal Service, usually 3'-4 to 4'-0.

INDIANA DEPARTMENT OF TRANSPORTATION	
<b>MAILBOX ASSEMBLIES ELEVATION VIEW</b>	
MARCH 2005	
STANDARD DRAWING NO. E 611-MBAS-04	
	/s/ Richard L. VanCleave 3-01-05 DESIGN STANDARDS ENGINEER DATE
	/s/ Richard K. Smutzer 3-01-05 CHIEF HIGHWAY ENGINEER DATE
DESIGN STANDARDS ENGINEER	